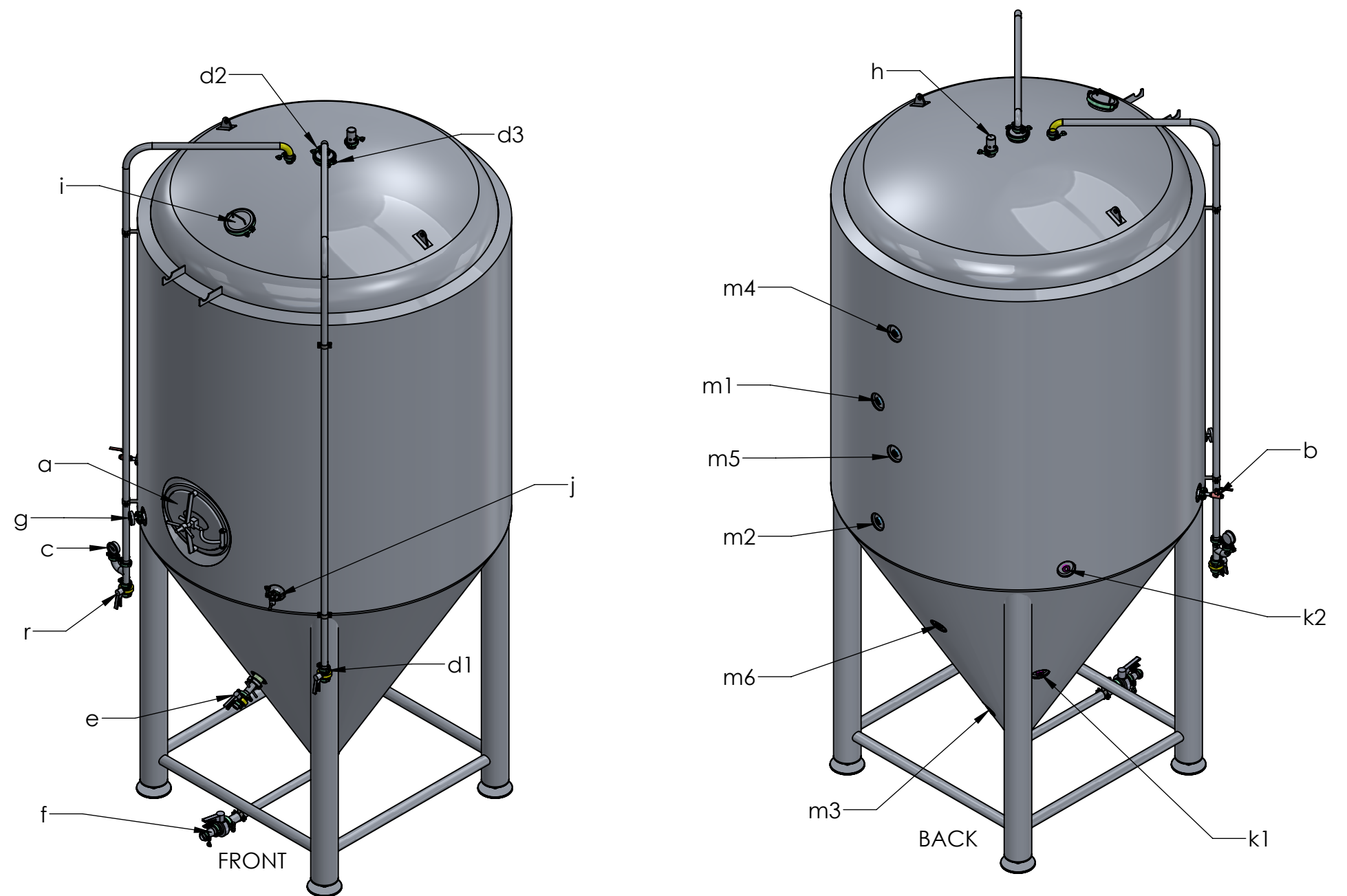


Design Data Sheet					
Design Parameters (Metric)			Design Parameters (US Standard)		
Working Pressure (MPa)	Vessel: 0.1	Jacket: 0.1	Working Pressure (psi)	Vessel: 14.5	Jacket: 14.5
Design Pressure (MPa)	0.2	0.4	Design Pressure (psi)	29	58
Working Temp (°C)	-5 - 40		Working Temp (°F)	23 - 104	
Design Temp (°C)	-10 - 50		Design Temp (°F)	14 - 122	
Material	Beer: 304	Glycol: 304	Material	Beer: 304	Glycol: 304
Gross Volume (gal)	2362.2 (76.2BBL)		Gross Volume (gal)	2362.2 (76.2BBL)	
Net Volume (gal)	1860 (60BBL)	31	Net Volume (gal)	1860 (60BBL)	31
Safety Valve Act Pressure (MPa)	0.1		Safety Valve Act Pressure (psi)	14.5	
Heat Exchange Area (m²)	11.8		Heat Exchange Area (ft²)	126.5	
Insulation Material	PU		Insulation Material	PU	
Insulation Thickness (mm)	80		Insulation Thickness (in)	3.2	
Pressure Test (MPa)	0.2	0.6	Pressure Test (psi)	29	87

Dimensions								
Name	Connect Size (mm)	Connect Size (in)	Connect Type	Comments	(mm)	(in)		
a	Manhole	580x480	22.9x18.9		Total Height	4599	181.1	
b	CO2 Inlet	38.1	1.5	Clamp	Minimum Height	4457	175.5	
c	Pressure Gauge	38.1	1.5	Clamp	Total Diameter	2360	92.9	
d1-2	CIP Assembly Clamp	38.1	1.5	Clamp	2 clamps	Tank Diameter	2160	85.1
d3	CIP Converter Clamp	101.6	4	Clamp		Ceiling Clearance	4564	179.7
d4	CIP Spray Ball Clamp	38.1	1.5	Clamp		Shipping Clearance		
e	Beer Out	38.1	1.5	Clamp	2 clamps			
f	Yeast Out	50.8	2	Clamp	3 clamps, includes reducer to 1.5"			
g	Temp Gauge	38.1	1.5	Clamp		Gasket Count		
h	Safety Valve	50.8	2	Clamp		1.5"	13	
i	Hop Port	152.4	6	Clamp		2"	4	
j	Sample Valve	38.1	1.5	Clamp		4"	1	
k1-2	Thermocouple Port		NPT 1/2"	Female Threaded		6"	1	
r	Overflow	38.1	1.5	Clamp	3 clamps			
m1-3	Glycol In		NPT 1"	Female Threaded			kg	lbs
m4-6	Glycol Out		NPT 1"	Female Threaded		Weight	1235	2722.7



PROPRIETARY AND CONFIDENTIAL
 THE INFORMATION CONTAINED IN THIS DRAWING IS THE SOLE PROPERTY OF ABS COMMERCIAL. ANY REPRODUCTION IN PART OR AS A WHOLE WITHOUT THE WRITTEN PERMISSION OF ABS COMMERCIAL IS PROHIBITED.

	NAME	DATE
DRAWN	Lewis Humphrey	9/17/2021
CHECKED		
ENG APPR.		
MFG APPR.		

COMMENTS:

ABS COMMERCIAL

SIZE: A TITLE: 60BBL FER 2 REV: 2

SCALE: 1:30 SHEET 1 OF 1