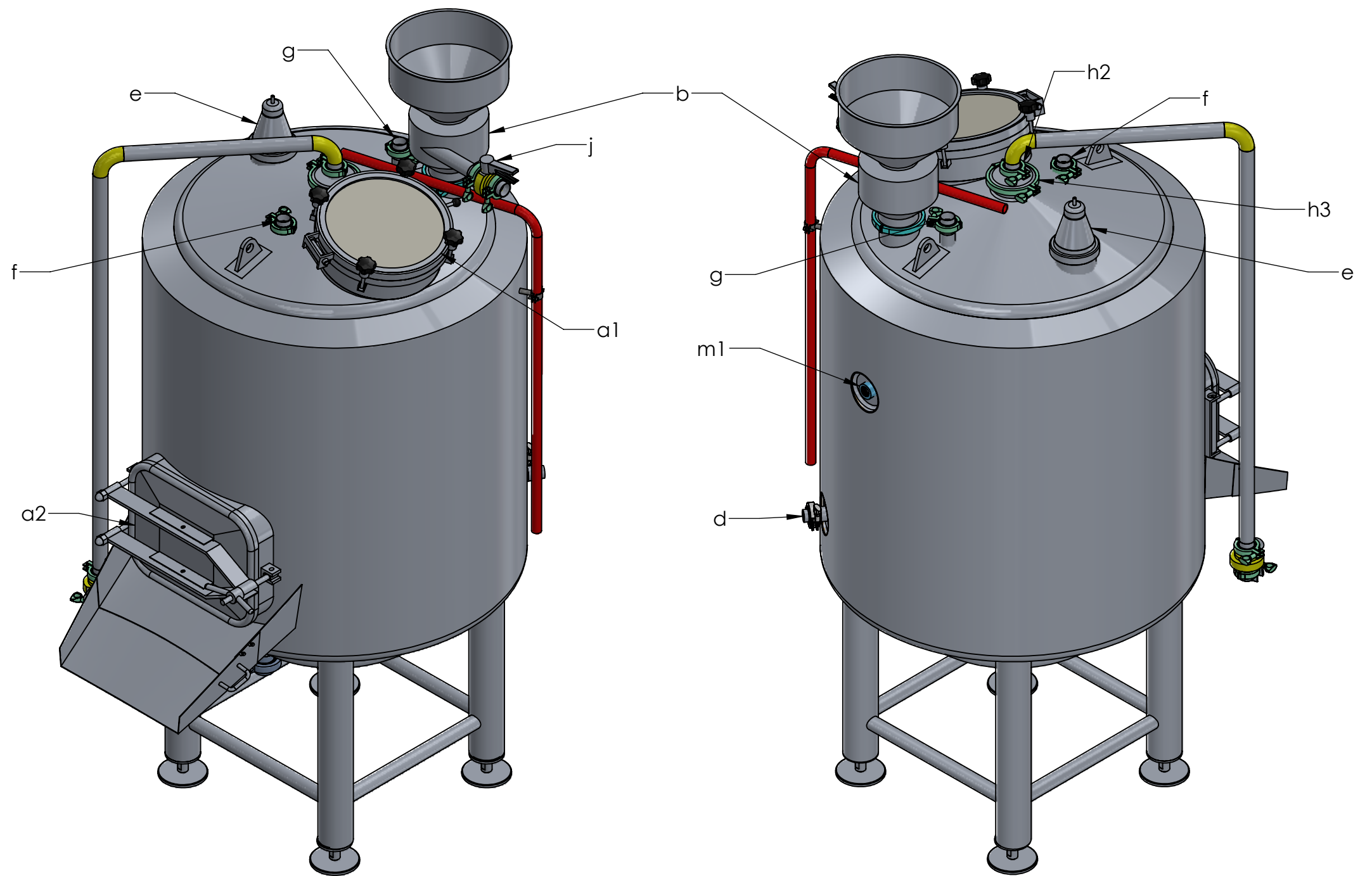
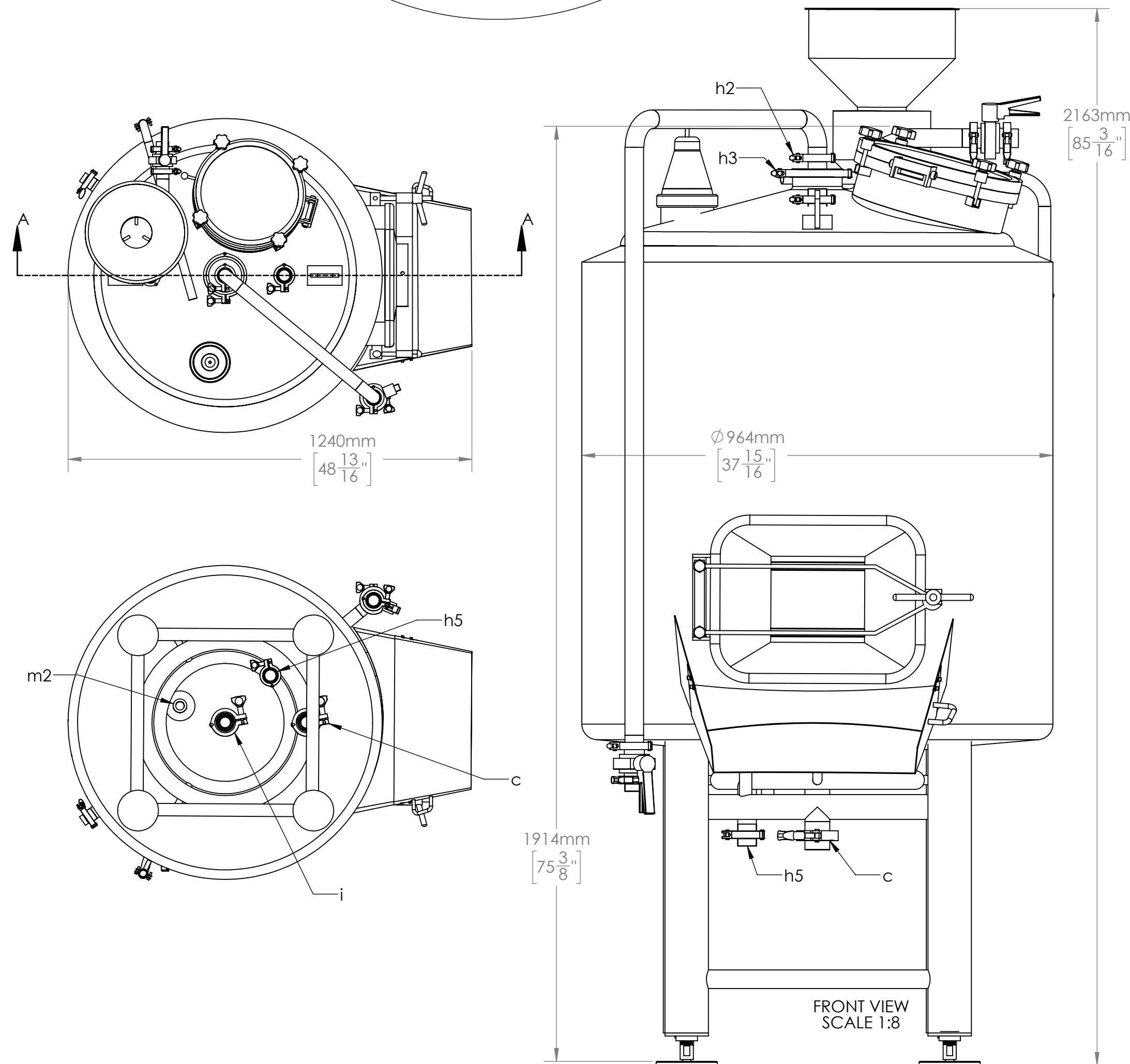


Design Parameters (Metric)			Design Parameters (US Standard)		
Working Pressure (MPa)	Vessel ATM	Jacket 0.1	Working Pressure (psi)	Vessel ATM	Jacket 14.5
Design Pressure (MPa)	ATM	0.4	Design Pressure (psi)	ATM	58
Working Temp (°C)	-5 - 110		Working Temp (°F)	23 - 230	
Design Temp (°C)	-10 - 110		Design Temp (°F)	14 - 230	
Material	Beer 304	Steam 304	Material	Beer 304	Steam 304
Gross Voume (gal)	139.5 (4.5BBL)		Gross Voume (gal)	139.5 (4.5BBL)	
Net Volume (gal)	93 (3BBL)		Net Volume (gal)	93 (3BBL)	
Head Space	50%		Head Space	50%	
Heat Exchange Area (m ²)	1.7		Heat Exchange Area (ft ²)	18.3	
Insulation Material	PU		Insulation Material	PU	
Insulation Thickness (mm)	80		Insulation Thickness (in)	3.2	
Pressure Test (MPa)	0.4		Pressure Test (psi)	58	

Component Specifications						Dimensions		
	Name	Connect Size (mm)	Connect Size (in)	Connect Type	Comments		(mm)	(in)
a1	Manhole	350	13.8			Total Height	2163	85.2
a2	Grain Out Manhole	535x415	21x16.3			Minimum Height	1914	75.4
b	Grist Hydrator	101.6	4	Clamp		Total Diameter	1240	48.8
c	Wort Outlet	50.8	2	Clamp		Tank Diameter	964	37.9
d	Thermocouple Port	NPT ½"	NPT ½"	Clamp		Gasket Count		
e	Light	DN80/114	DN80/114	Threaded		1.5"	7	
f	Vorlauf Inlet	38.1	1.5	Clamp	2 clamps	2"	2	
g	Sparge Inlet	38.1	1.5	Clamp		4"	2	
h1-2	CIP Assembly Clamps	38.1	1.5	Clamp				
h3	CIP Converter Clamp	101.6	4	Clamp				
h4	CIP Spray Ball	38.1	1.5	Clamp				
h5	Bottom CIP	38.1	1.5	Clamp		Weight	305	672.4
m1	Steam In		NPT 1"	Female Threaded			kg	lbs
m2	Steam Out		NPT ¾"	Female Threaded				
i	Drain Outlet	50.8	2	Clamp				
j	Water Inlet	38.1	1.5	Clamp				



PROPRIETARY AND CONFIDENTIAL
THE INFORMATION CONTAINED IN THIS DRAWING IS THE SOLE PROPERTY OF ABS COMMERCIAL. ANY REPRODUCTION IN PART OR AS A WHOLE WITHOUT THE WRITTEN PERMISSION OF ABS COMMERCIAL IS PROHIBITED.

	NAME	DATE
DRAWN	LCH	8/19/2022
CHECKED	MWM	9/8/2022
ENG APPR.		
MFG APPR.		

COMMENTS:

ABS COMMERCIAL

SIZE: A TITLE: 003MLTOA REV: A
SCALE: 1:12 SHEET 1 OF 1