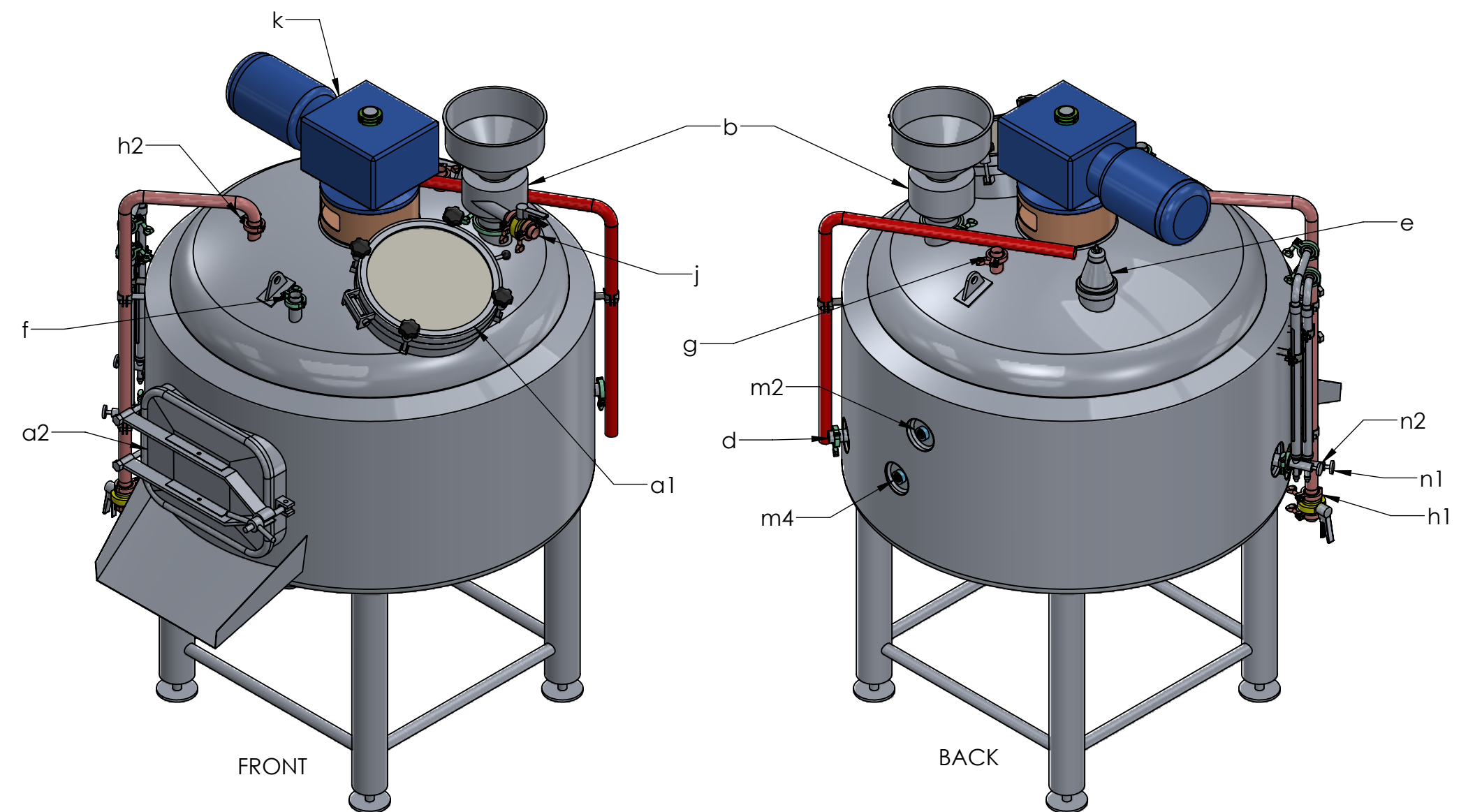


Design Parameters (Metric)			Design Parameters (US Standard)		
	Vessel	Jacket		Vessel	Jacket
Working Pressure (MPa)	ATM	0.1	Working Pressure (psi)	ATM	14.5
Design Pressure (MPa)	ATM	0.4	Design Pressure (psi)	ATM	58
Working Temp (°C)	-5 - 110		Working Temp (°F)	23 - 230	
Design Temp (°C)	-10 - 110		Design Temp (°F)	14 - 230	
Material	Beer 304	Steam 304	Material	Beer 304	Steam 304
Gross Volume (gal)	226.3 (7.3BBL)		Gross Volume (gal)	226.3 (7.3BBL)	
Net Volume (gal)	155 (5BBL)		Net Volume (gal)	155 (5BBL)	
Head Space	46%		Head Space	46%	
Heat Exchange Area (m²)	1.9		Heat Exchange Area (ft²)	20.5	
Insulation Material	PU		Insulation Material	PU	
Insulation Thickness (mm)	80		Insulation Thickness (in)	3.2	
Pressure Test (MPa)	0.4		Pressure Test (psi)	58	

Component Specifications						Dimensions		
	Name	Connect Size (mm)	Connect Size (in)	Connect Type	Comments		(mm)	(in)
a1	Manhole	400	15.8			Total Height	2151	84.7
a2	Grain Out Manhole	535x415	21x16.3			Total Diameter	1601	63.1
b	Grist Hydrator	101.6	4	Clamp		Tank Diameter	1364	53.7
c	Wort Outlet	50.8	2	Clamp		Gasket Count		
d	Thermocouple Port	NPT 1/2"	NPT 1/2"	Clamp		1.5"	12	
e	Light	DN80/114	DN80/114	Threaded		2"	2	
f	Vorlauf Inlet	38.1	1.5	Clamp	2 clamps	4"	1	
g	Sparge Inlet	38.1	1.5	Clamp		Weight	kg	lbs
h1-2	CIP Assembly Clamps	38.1	1.5	Clamp	2 clamps		600	1322.8
h3-4	CIP Spray Ball	38.1	1.5	Clamp	2 clamps			
h5	Bottom CIP	38.1	1.5	Clamp				
m1-2	Steam In		NPT 1"	Female Threaded				
m3-4	Steam Out		NPT 3/4"	Female Threaded				
i	Drain Outlet	50.8	2	Clamp				
j	Water Inlet	38.1	1.5	Clamp				
k	Motor			Flange				
n1-2	Level Port	38.1	1.5	Clamp	4 clamps			



PROPRIETARY AND CONFIDENTIAL
THE INFORMATION CONTAINED IN THIS DRAWING IS THE SOLE PROPERTY OF ABS COMMERCIAL. ANY REPRODUCTION IN PART OR AS A WHOLE WITHOUT THE WRITTEN PERMISSION OF ABS COMMERCIAL IS PROHIBITED.

	NAME	DATE
DRAWN	LCH	8/20/2022
CHECKED	MWM	9/8/2022
ENG APPR.		
MFG APPR.		

COMMENTS:

ABS COMMERCIAL

SIZE: A TITLE: 005MLT0A REV: A
SCALE: 1:16 SHEET 1 OF 1