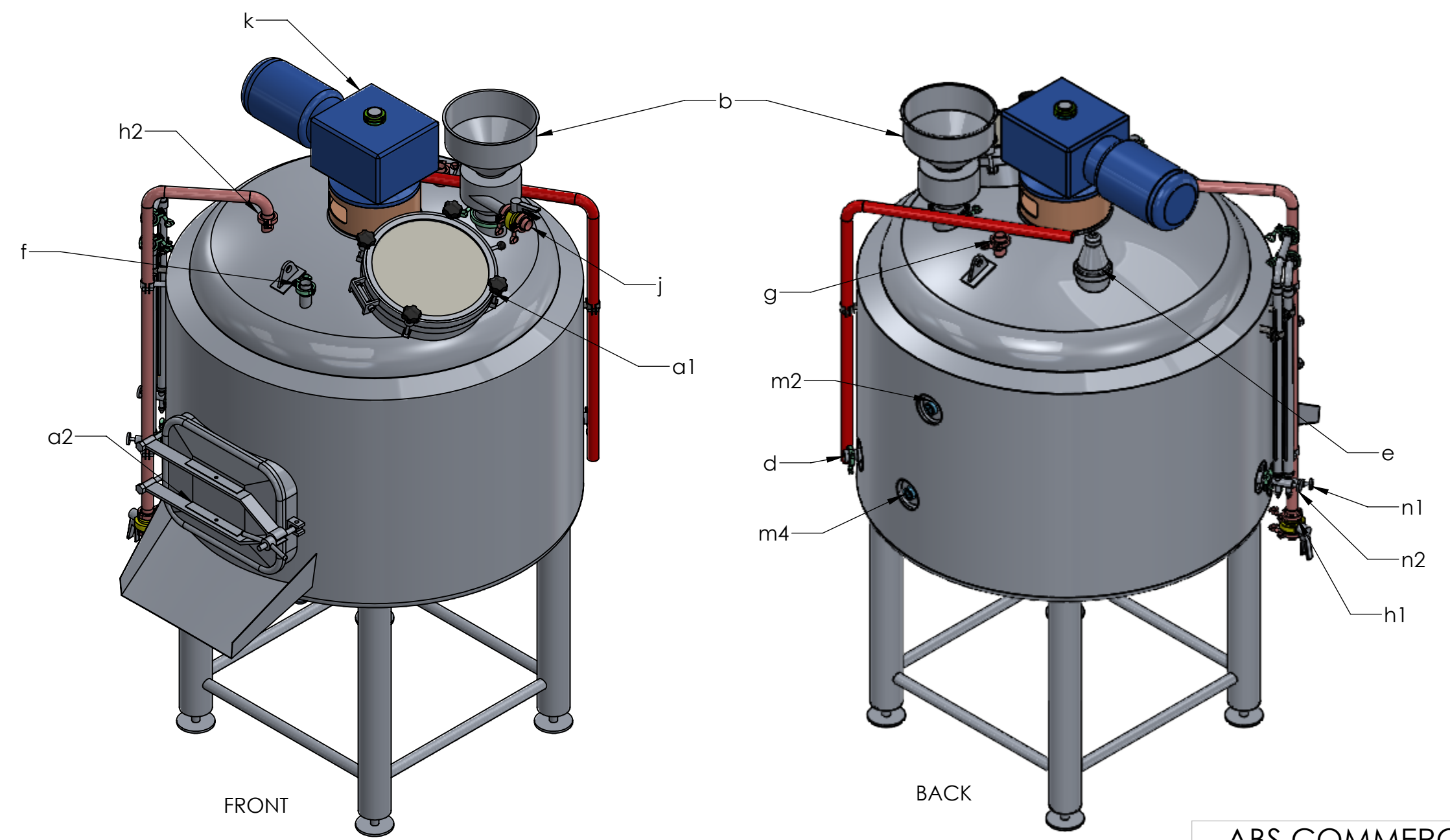


Design Parameters (Metric)			Design Parameters (US Standard)		
Working Pressure (MPa)	Vessel ATM	Jacket 0.1	Working Pressure (psi)	Vessel ATM	Jacket 14.5
Design Pressure (MPa)	ATM	0.4	Design Pressure (psi)	ATM	58
Working Temp (°C)	-5 - 110		Working Temp (°F)	23 - 230	
Design Temp (°C)	-10 - 110		Design Temp (°F)	14 - 230	
Material	Beer 304	Steam 304	Material	Beer 304	Steam 304
Gross Volume (gal)	282.1 (9.1BBL)		Gross Volume (gal)	282.1 (9.1BBL)	
Net Volume (gal)	217 (7BBL)		Net Volume (gal)	217 (7BBL)	
Head Space	30%		Head Space	30%	
Heat Exchange Area (m <sup>2</sup> )	2.6		Heat Exchange Area (ft <sup>2</sup> )	28	
Insulation Material	PU		Insulation Material	PU	
Insulation Thickness (mm)	80		Insulation Thickness (in)	3.2	
Pressure Test (MPa)	0.4		Pressure Test (psi)	58	

Component Specifications						Dimensions		
	Name	Connect Size (mm)	Connect Size (in)	Connect Type	Comments		(mm)	(in)
a1	Manhole	400	15.8			Total Height	2443	96.2
a2	Grain Out Manhole	535x415	21x16.3			Total Diameter	1601	63.1
b	Grist Hydrator	101.6	4	Clamp		Tank Diameter	1364	53.7
c	Wort Outlet	50.8	2	Clamp				
d	Thermocouple Port	NPT 1/2"	NPT 1/2"	Clamp				
e	Light	DN80/114	DN80/114	Threaded				
f	Vorlauf Inlet	38.1	1.5	Clamp	2 clamps	Gasket Count		
g	Sparge Inlet	38.1	1.5	Clamp		1.5"	12	
h1-2	CIP Assembly Clamps	38.1	1.5	Clamp	2 clamps	2"	2	
h3-4	CIP Spray Ball	38.1	1.5	Clamp	2 clamps	4"	1	
h5	Bottom CIP	38.1	1.5	Clamp				
m1-2	Steam In		NPT 1"	Female Threaded		Weight	kg	lbs
m3-4	Steam Out		NPT 3/4"	Female Threaded		640		1411
i	Drain Outlet	50.8	2	Clamp				
j	Water Inlet	38.1	1.5	Clamp				
k	Motor			Flange				
n1-2	Level Port	38.1	1.5	Clamp	4 clamps			



ABS COMMERCIAL		
DRAWN	NAME	DATE
CHECKED	MJM	8/22/2022
ENG APPR.	MWM	9/8/2022
MFG APPR.		
COMMENTS:		

PROPRIETARY AND CONFIDENTIAL

THE INFORMATION CONTAINED IN THIS DRAWING IS THE SOLE PROPERTY OF ABS COMMERCIAL. ANY REPRODUCTION IN PART OR AS A WHOLE WITHOUT THE WRITTEN PERMISSION OF ABS COMMERCIAL IS PROHIBITED.

SIZE TITLE: REV

**A** 007MLT0A **A**

SCALE: 1:16 SHEET 1 OF 1