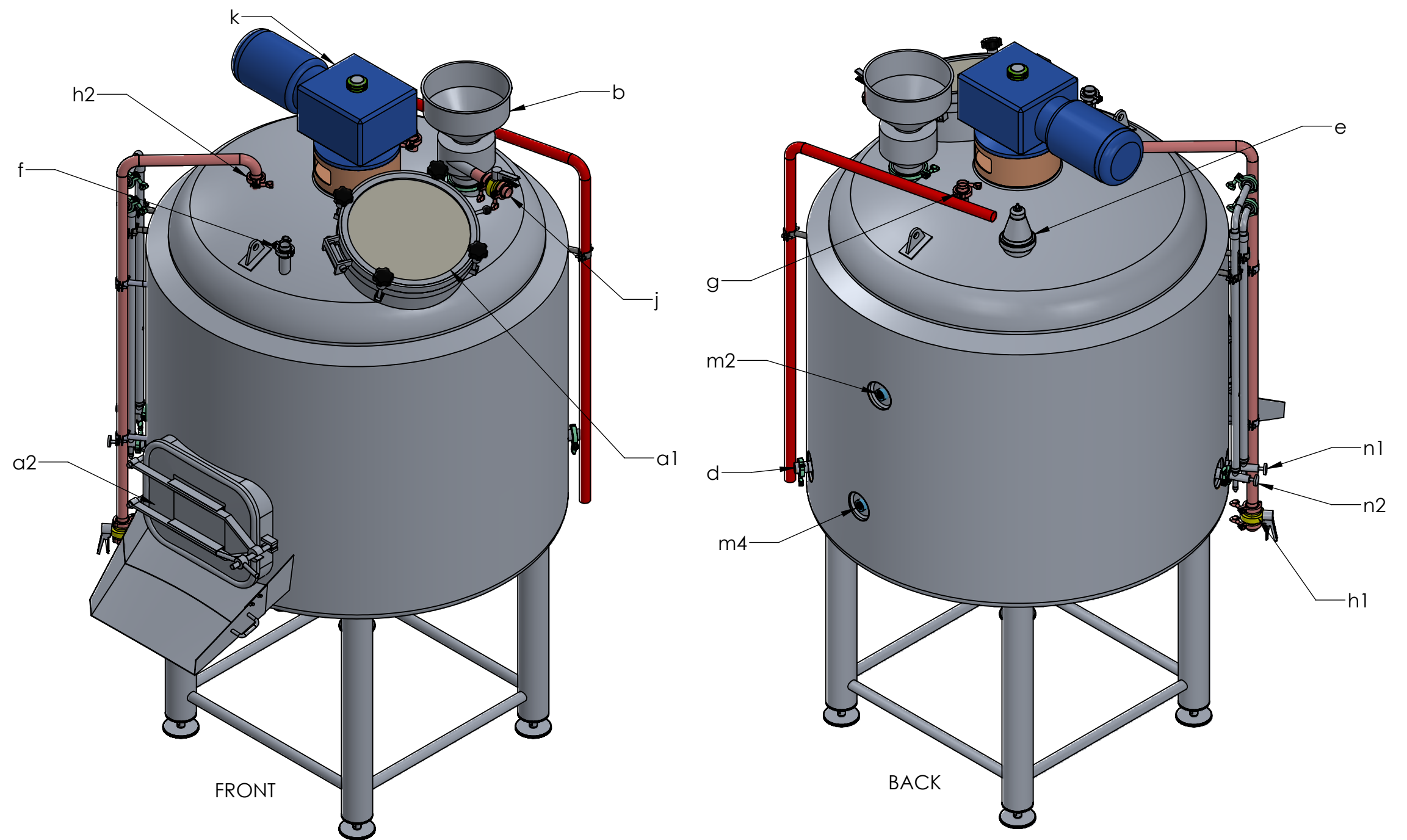


Design Data Sheet								
Design Parameters (Metric)			Design Parameters (US Standard)					
Working Pressure (MPa)	Vessel	ATM	Jacket	0.1	Working Pressure (psi)	ATM	14.5	
Design Pressure (MPa)	Vessel	ATM	Jacket	0.4	Design Pressure (psi)	ATM	58	
Working Temp (°C)	-5 - 110		-5 - 110		Working Temp (°F)	23 - 230		
Design Temp (°C)	-10 - 110		-10 - 110		Design Temp (°F)	14 - 230		
Material	Beer	304	Steam	304	Material	Beer	304	
Gross Volume (gal)	424.7 (13.7BBL)		424.7 (13.7BBL)		Gross Volume (gal)	424.7 (13.7BBL)		
Net Volume (gal)	310 (10BBL)		310 (10BBL)		Net Volume (gal)	310 (10BBL)		
Head Space	37%		37%		Head Space	37%		
Heat Exchange Area (m²)	3.4		3.4		Heat Exchange Area (ft²)	36.6		
Insulation Material	PU		PU		Insulation Material	PU		
Insulation Thickness (mm)	80		80		Insulation Thickness (in)	3.2		
Pressure Test (MPa)	0.4		0.4		Pressure Test (psi)	58		
Component Specifications								
Name	Connect Size (mm)	Connect Size (in)	Connect Type	Comments	Dimensions			
a1	Manhole	400	15.8		Total Height	2754	108.4	
a2	Grain Out Manhole	535x415	21x16.3		Total Diameter	1781	70.1	
b	Grist Hydrator	101.6	4	Clamp	Tank Diameter	1464	57.6	
c	Wort Outlet	50.8	2	Clamp	Ceiling Clearance	2785	109.7	
d	Thermocouple Port	NPT 1/2"	NPT 1/2"	Clamp				
e	Light	DN80/114	DN80/114	Threaded				
f	Vorlauf Inlet	38.1	1.5	Clamp	2 clamps	Gasket Count		
g	Sparge Inlet	38.1	1.5	Clamp	2 clamps	1.5"	12	
h1-2	CIP Assembly Clamps	38.1	1.5	Clamp	2 clamps	2"	2	
h3-4	CIP Spray Ball	38.1	1.5	Clamp	2 clamps	4"	1	
h5	Bottom CIP	38.1	1.5	Clamp				
m1-2	Steam In		NPT 1"	Female Threaded		Weight	kg	lbs
m3-4	Steam Out		NPT 1/2"	Female Threaded		740	1631.4	
i	Drain Outlet	50.8	2	Clamp				
j	Water Inlet	38.1	1.5	Clamp				
k	Motor			Flange				
n1-2	Level Port	38.1	1.5	Clamp	4 clamps			



PROPRIETARY AND CONFIDENTIAL
 THE INFORMATION CONTAINED IN THIS DRAWING IS THE SOLE PROPERTY OF ABS COMMERCIAL. ANY REPRODUCTION IN PART OR AS A WHOLE WITHOUT THE WRITTEN PERMISSION OF ABS COMMERCIAL IS PROHIBITED.

NAME	DATE
DRAWN: MJM	8/22/2022
CHECKED: MWM	9/8/2022
ENG APPR.	
MFG APPR.	

COMMENTS:

ABS COMMERCIAL

SIZE: A TITLE: 010MLTOA REV: A
 SCALE: 1:16 SHEET 1 OF 1