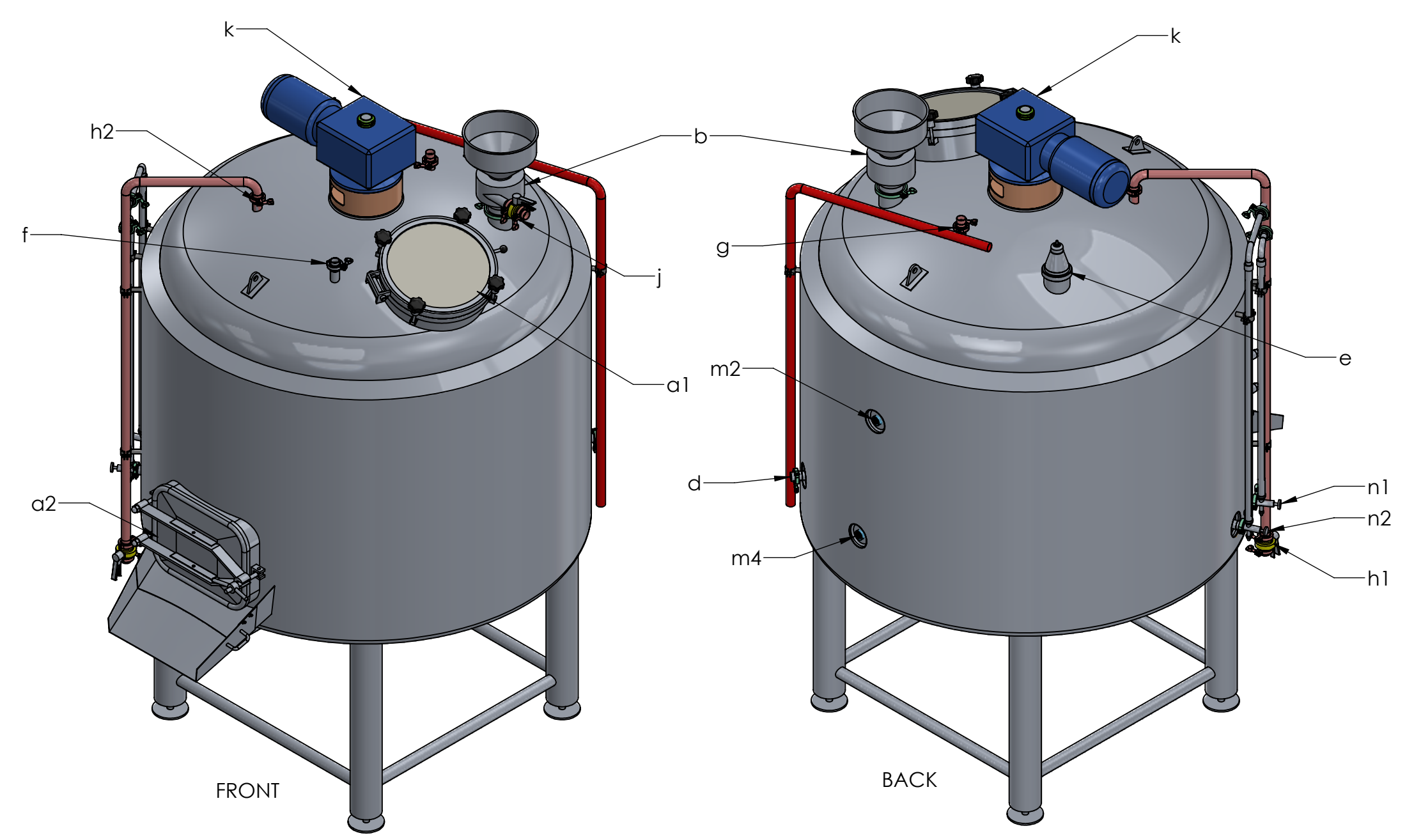


Design Parameters (Metric)			Design Parameters (US Standard)		
Working Pressure (MPa)	Vessel: ATM	Jacket: 0.1	Working Pressure (psi)	Vessel: ATM	Jacket: 14.5
Design Pressure (MPa)	ATM	0.4	Design Pressure (psi)	ATM	58
Working Temp (°C)	-5 - 110		Working Temp (°F)	23 - 230	
Design Temp (°C)	-10 - 110		Design Temp (°F)	14 - 230	
Material	Beer: 304	Steam: 304	Material	Beer: 304	Steam: 304
Gross Volume (gal)	837 (27BBL)		Gross Volume (gal)	837 (27BBL)	
Net Volume (gal)	620 (20BBL)		Net Volume (gal)	620 (20BBL)	
Head Space	26%		Head Space	26%	
Heat Exchange Area (m ²)	5.8		Heat Exchange Area (ft ²)	62.4	
Insulation Material	PU		Insulation Material	PU	
Insulation Thickness (mm)	80		Insulation Thickness (in)	3.2	
Pressure Test (MPa)	0.4		Pressure Test (psi)	58	

Component Specifications						Dimensions		
Name	Connect Size (mm)	Connect Size (in)	Connect Type	Comments		(mm)	(in)	
a1 Manhole	400	15.8				Total Height	3003	118.3
a2 Grain Out Manhole	535x415	21x16.3				Total Diameter	2181	85.9
b Grist Hydrator	101.6	4	Clamp			Tank Diameter	1864	73.4
c Wort Outlet	50.8	2	Clamp			Ceiling Clearance	3056	120.3
d Thermocouple Port	NPT 1/2"	NPT 1/2"	Clamp					
e Light	DN80/114	DN80/114	Threaded					
f Vorlauf Inlet	38.1	1.5	Clamp	2 clamps		Gasket Count		
g Sparge Inlet	38.1	1.5	Clamp			1.5"	12	
h1-2 CIP Assembly Clamps	38.1	1.5	Clamp	2 clamps		2"	2	
h3-4 CIP Spray Ball	38.1	1.5	Clamp	2 clamps		4"	1	
h5 Bottom CIP	38.1	1.5	Clamp					
m1-2 Steam In		NPT 1"	Female Threaded			Weight	kg	lbs
m3-4 Steam Out		NPT 3/4"	Female Threaded				1050	2315
i Drain Outlet	50.8	2	Clamp					
j Water Inlet	38.1	1.5	Clamp					
k Motor			Flange					
n1-2 Level Port	38.1	1.5	Clamp	4 clamps				



PROPRIETARY AND CONFIDENTIAL
 THE INFORMATION CONTAINED IN THIS DRAWING IS THE SOLE PROPERTY OF ABS COMMERCIAL. ANY REPRODUCTION IN PART OR AS A WHOLE WITHOUT THE WRITTEN PERMISSION OF ABS COMMERCIAL IS PROHIBITED.

	NAME	DATE
DRAWN	MJM	8/22/2022
CHECKED	MWM	9/8/2022
ENG APPR.		
MFG APPR.		

COMMENTS:

ABS COMMERCIAL

SIZE: A TITLE: 020MLT0A REV: A
 SCALE: 1:20 SHEET 1 OF 1