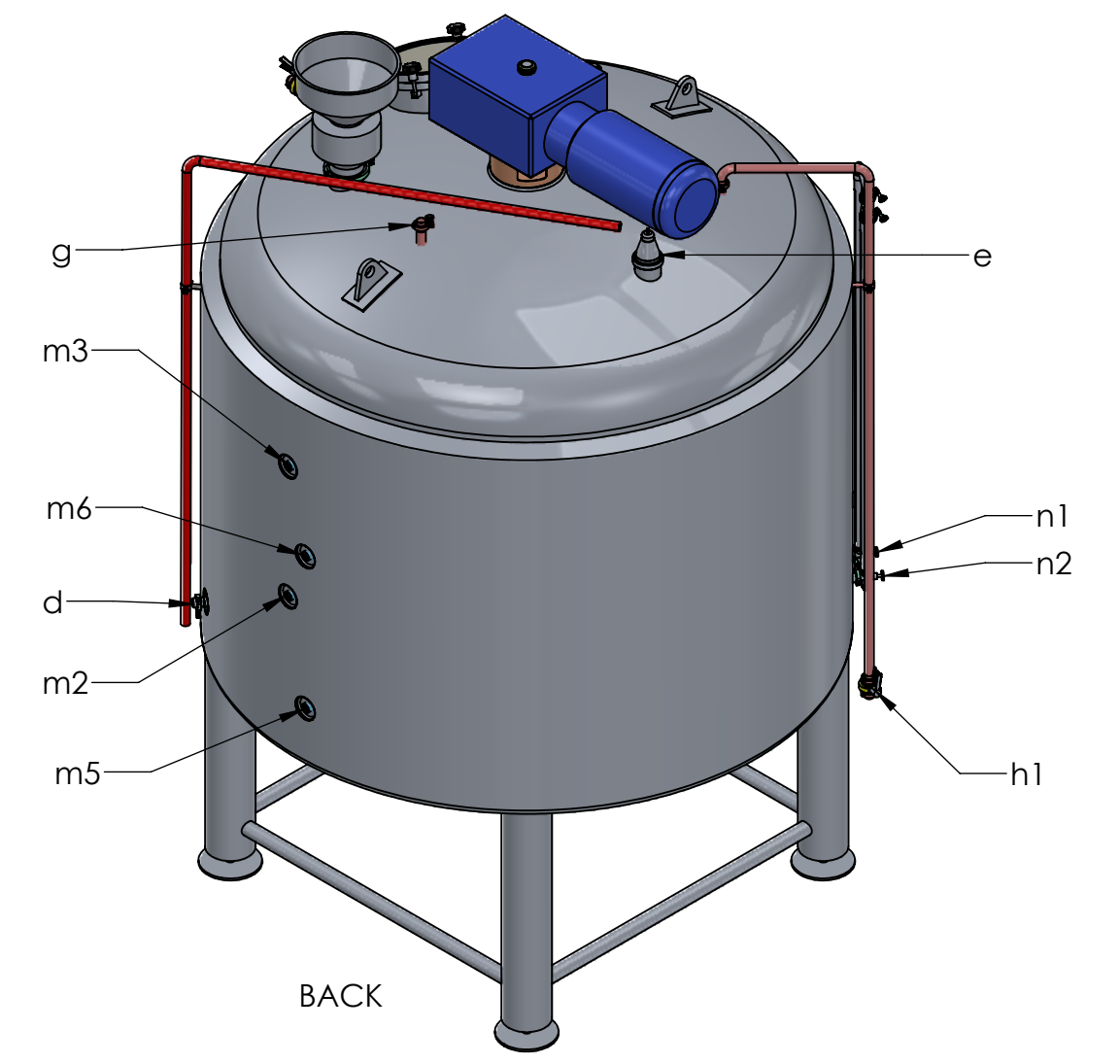
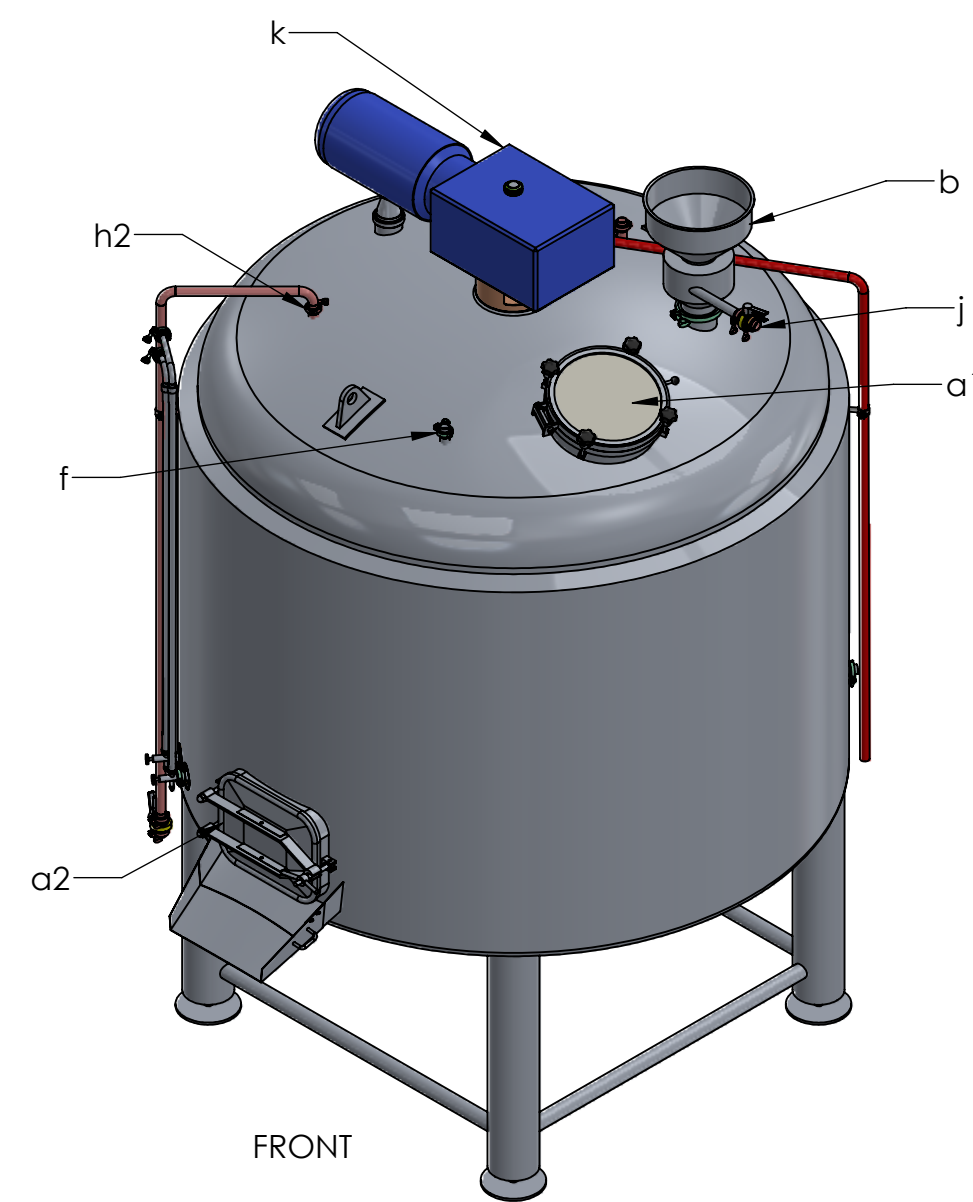


Design Data Sheet									
Design Parameters (Metric)			Design Parameters (US Standard)						
Working Pressure (MPa)	Vessel	ATM	Jacket	0.1	Working Pressure (psi)	Vessel	ATM	14.5	
Design Pressure (MPa)	Vessel	ATM	Jacket	0.4	Design Pressure (psi)	Vessel	ATM	58	
Working Temp (°C)	-5 - 110		-5 - 110		Working Temp (°F)	23 - 230			
Design Temp (°C)	-10 - 110		-10 - 110		Design Temp (°F)	14 - 230			
Material	Beer	304	Steam	304	Material	Beer	304	Steam	304
Gross Voume (gal)	2728 (88BBL)		2728 (88BBL)		Gross Voume (gal)	2728 (88BBL)			
Net Volume (gal)	1860 (60BBL)		1860 (60BBL)		Net Volume (gal)	1860 (60BBL)			
Head Space	32%		32%		Head Space	32%			
Heat Exchange Area (m²)	12.1		12.1		Heat Exchange Area (ft²)	130.2			
Insulation Material	PU		PU		Insulation Material	PU			
Insulation Thickness (mm)	80		80		Insulation Thickness (in)	3.2			
Pressure Test (MPa)	0.4		0.4		Pressure Test (psi)	58			
Component Specifications									
Name	Connect Size (mm)	Connect Size (in)	Connect Type	Comments	Dimensions				
a1	Manhole	400	15.8		Total Height	3992	157.2		
a2	Grain Out Manhole	535x415	21x16.3		Total Diameter	3001	118.1		
b	Grist Hydrator	101.6	4	Clamp	Tank Diameter	2664	104.9		
c	Wort Outlet	50.8	2	Clamp	Ceiling Clearance	4081	160.7		
d	Thermocouple Port	NPT 1/2"	NPT 1/2"	Clamp					
e	Light	DN80/114	DN80/114	Threaded					
f	Vorlauf Inlet	38.1	1.5	Clamp	2 clamps	Gasket Count			
g	Sparge Inlet	38.1	1.5	Clamp	2 clamps	1.5"	12		
h1-2	CIP Assembly Clamps	38.1	1.5	Clamp	2 clamps	2"	2		
h3-4	CIP Spray Ball	38.1	1.5	Clamp	2 clamps	4"	1		
h5	Bottom CIP	38.1	1.5	Clamp					
m1-3	Steam In		NPT 1"	Female Threaded			kg	lbs	
m4-6	Steam Out		NPT 3/4"	Female Threaded			Weight	1950	4299
i	Drain Outlet	50.8	2	Clamp					
j	Water Inlet	38.1	1.5	Clamp					
k	Motor			Flange					
n1-2	Level Port	38.1	1.5	Clamp	4 clamps				



PROPRIETARY AND CONFIDENTIAL
 THE INFORMATION CONTAINED IN THIS DRAWING IS THE SOLE PROPERTY OF ABS COMMERCIAL. ANY REPRODUCTION IN PART OR AS A WHOLE WITHOUT THE WRITTEN PERMISSION OF ABS COMMERCIAL IS PROHIBITED.

	NAME	DATE
DRAWN	MJM	8/24/2022
CHECKED	MWM	9/8/2022
ENG APPR.		
MFG APPR.		

COMMENTS:

ABS COMMERCIAL

SIZE	TITLE:	REV
A	060MLT0A	A
SCALE: 1:30	SHEET 1 OF 1	