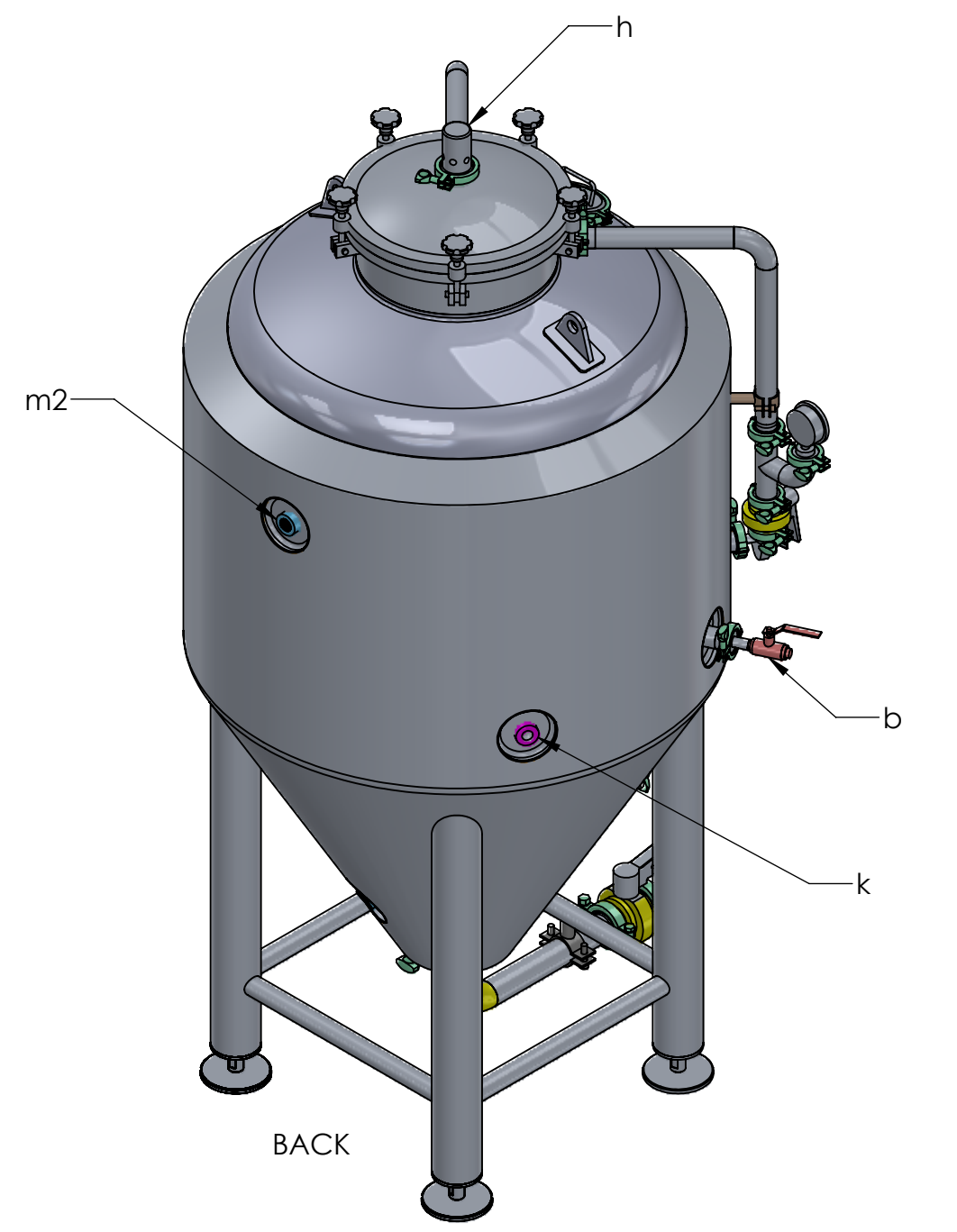
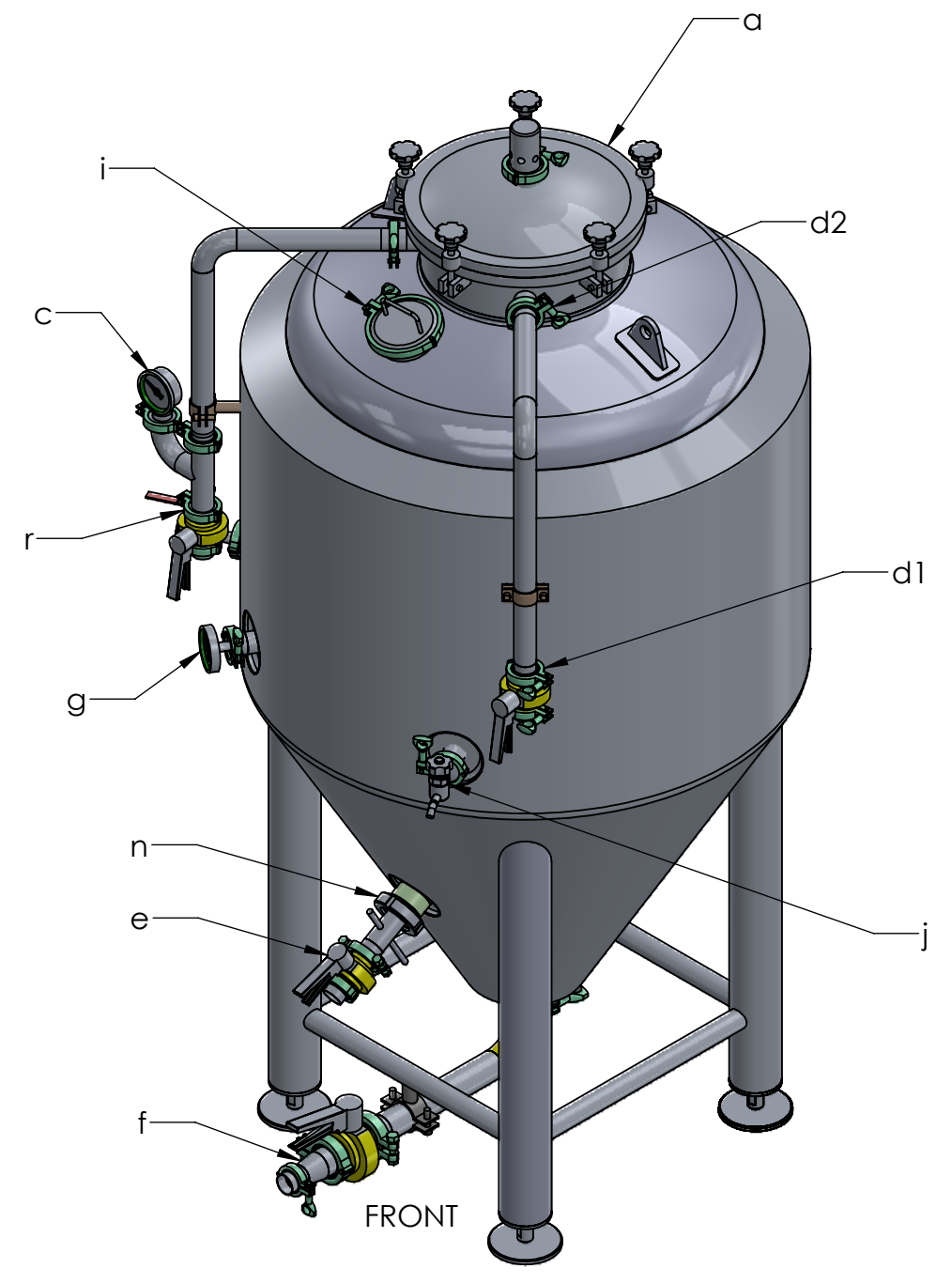
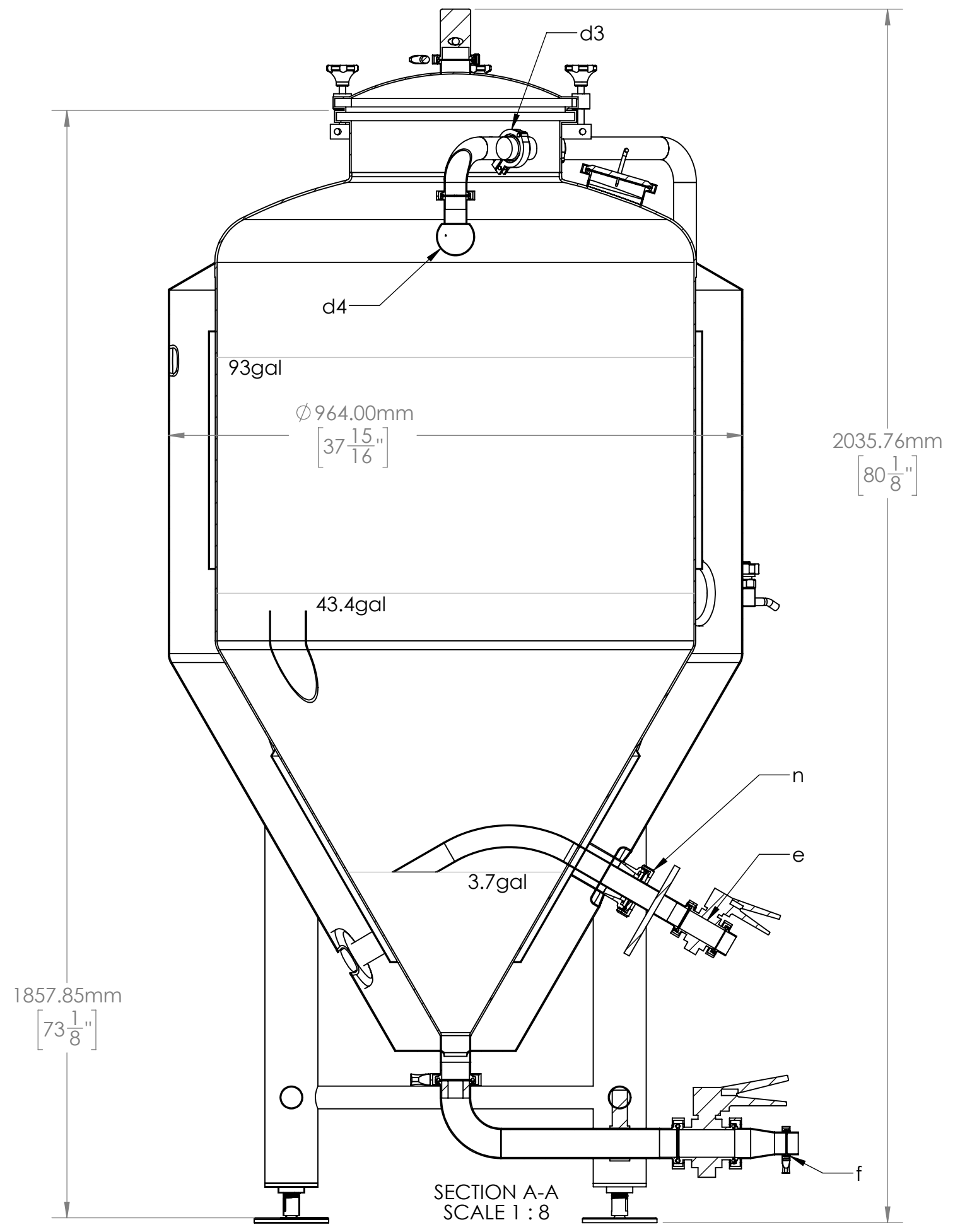


Design Data Sheet					
Design Parameters (Metric)			Design Parameters (US Standard)		
Working Pressure (MPa)	Vessel: 0.1	Jacket: 0.1	Working Pressure (psi)	Vessel: 14.5	Jacket: 14.5
Design Pressure (MPa)	0.2	0.4	Design Pressure (psi)	29	58
Working Temp (°C)	-5 - 40		Working Temp (°F)	23 - 104	
Design Temp (°C)	-10 - 50		Design Temp (°F)	14 - 122	
Material	Beer: 304	Glycol: 304	Material	Beer: 304	Glycol: 304
Gross Volume (gal)	114.7 (3.7BBL)		Gross Volume (gal)	114.7 (3.7BBL)	
Net Volume (gal)	93 (3BBL)		Net Volume (gal)	93 (3BBL)	
Safety Valve Act Pressure (MPa)	0.1		Safety Valve Act Pressure (psi)	14.5	
Heat Exchange Area (m ²)	1.3		Heat Exchange Area (ft ²)	13.6	
Insulation Material	PU		Insulation Material	PU	
Insulation Thickness (mm)	80		Insulation Thickness (in)	3.2	
Pressure Test (MPa)	0.2	0.6	Pressure Test (psi)	29	87

Component Specifications						Dimensions	
Name	Connect Size (mm)	Connect Size (in)	Connect Type	Comments		(mm)	(in)
a Manhole	356	14			Total Height	2036	80.1
b CO2 Inlet	38.1	1.5	Clamp		Minimum Height	1858	73.2
c Pressure Gauge	38.1	1.5	Clamp		Total Diameter	1163	45.8
d1-3 CIP Assembly Clamp	38.1	1.5	Clamp	3 clamps	Tank Diameter	964	38
d4 CIP Spray Ball Clamp	38.1	1.5	Clamp				
e Beer Out	38.1	1.5	Clamp	2 clamps	Gasket Count		
f Yeast Out	50.8	2	Clamp	3 clamps, includes reducer to 1.5"	1.5"	15	
g Temp Gauge	38.1	1.5	Clamp		2"	3	
h Safety Valve	38.1	1.5	Clamp		4"	1	
i Hop Port	101.6	4	Clamp		DIN50	1	
j Sample Valve	38.1	1.5	Clamp			kg	lbs
k Thermocouple Port		NPT 1/2"	Female Threaded		Weight	235	518.1
r Overflow	38.1	1.5	Clamp	3 clamps			
m1 Glycol In		NPT 3/4"	Female Threaded				
m2 Glycol Out		NPT 3/4"	Female Threaded				
n DIN Fitting	50.8	2	DIN				



PROPRIETARY AND CONFIDENTIAL
 THE INFORMATION CONTAINED IN THIS DRAWING IS THE SOLE PROPERTY OF ABS COMMERCIAL. ANY REPRODUCTION IN PART OR AS A WHOLE WITHOUT THE WRITTEN PERMISSION OF ABS COMMERCIAL IS PROHIBITED.

	NAME	DATE
DRAWN	MJM	7/27/2022
CHECKED	MWM	3/20/2023
ENG APPR.		
MFG APPR.		

COMMENTS:

ABS COMMERCIAL

SIZE: A TITLE: 003FERMA REV: A
 SCALE: 1:12 SHEET 1 OF 1