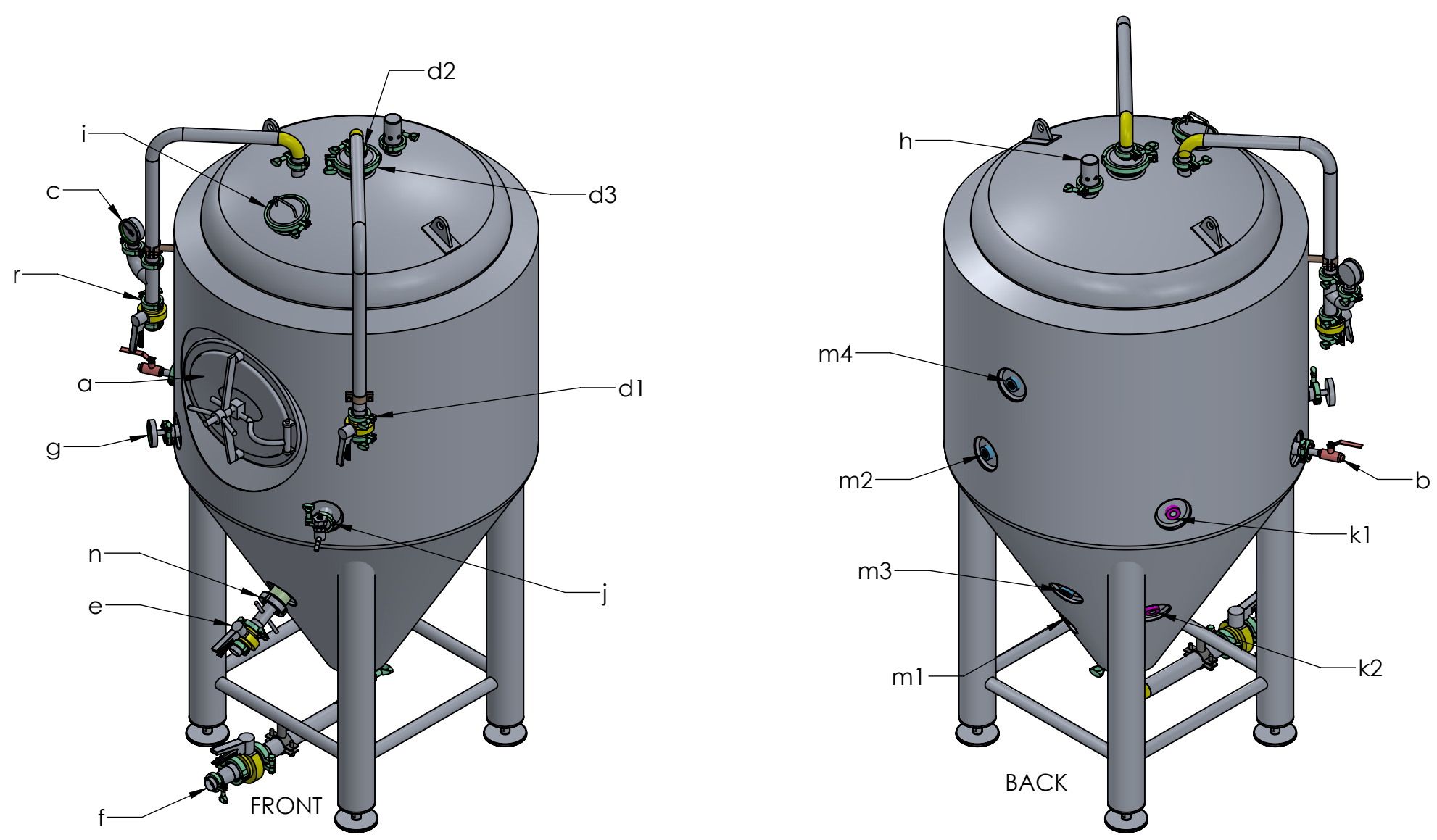


Design Parameters (Metric)			Design Parameters (US Standard)		
Working Pressure (MPa)	Vessel: 0.1	Jacket: 0.1	Working Pressure (psi)	Vessel: 14.5	Jacket: 14.5
Design Pressure (MPa)	0.2	0.4	Design Pressure (psi)	29	58
Working Temp (°C)	-5 - 40		Working Temp (°F)	23 - 104	
Design Temp (°C)	-10 - 50		Design Temp (°F)	14 - 122	
Material	Beer: 304	Glycol: 304	Material	Beer: 304	Glycol: 304
Gross Voume (gal)	192.2 (6.2BBL)		Gross Voume (gal)	192.2 (6.2BBL)	
Net Volume (gal)	155 (5BBL)	5	Net Volume (gal)	155 (5BBL)	5
Safety Valve Act Pressure (MPa)	0.1		Safety Valve Act Pressure (psi)	14.5	
Heat Exchange Area (m²)		1.9	Heat Exchange Area (ft²)		20
Insulation Material		PU	Insulation Material		PU
Insulation Thickness (mm)	80		Insulation Thickness (in)	3.2	
Pressure Test (MPa)	0.2	0.6	Pressure Test (psi)	29	87

Component Specifications						Dimensions		
	Name	Connect Size (mm)	Connect Size (in)	Connect Type	Comments		(mm)	(in)
a	Manhole	490x390	16			Total Height	2188	86.1
b	CO2 Inlet	38.1	1.5	Clamp		Minimum Height	2049	80.7
c	Pressure Gauge	38.1	1.5	Clamp		Total Diameter	1262	49.7
d1-2	CIP Assembly Clamp	38.1	1.5	Clamp	2 clamps	Tank Diameter	1064	41.9
d3	CIP Converter Clamp	101.6	4	Clamp		Gasket Count		
d4	CIP Spray Ball Clamp	38.1	1.5	Clamp		1.5"	14	
e	Beer Out	38.1	1.5	Clamp	2 clamps	2"	4	
f	Yeast Out	50.8	2	Clamp	3 clamps, includes reducer to 1.5"	4"	1	
g	Temp Gauge	38.1	1.5	Clamp		DIN50	1	
h	Safe Valve	50.8	2	Clamp			kg	lbs
i	Hop Port	101.6	4	Clamp		Weight	300	661.4
j	Sample Valve	38.1	1.5	Clamp				
k1-2	Thermocouple Port		NPT 1/2"	Female Threaded				
r	Overflow	38.1	1.5	Clamp	3 clamps			
m1-2	Glycol In		NPT 3/4"	Female Threaded				
m3-4	Glycol Out		NPT 3/4"	Female Threaded				
n	DIN Fitting	50.8	2	DIN				



PROPRIETARY AND CONFIDENTIAL
 THE INFORMATION CONTAINED IN THIS DRAWING IS THE SOLE PROPERTY OF ABS COMMERCIAL. ANY REPRODUCTION IN PART OR AS A WHOLE WITHOUT THE WRITTEN PERMISSION OF ABS COMMERCIAL IS PROHIBITED.

	NAME	DATE
DRAWN	LCH	8/8/2022
CHECKED	MWM	3/20/2023
ENG APPR.		
MFG APPR.		

COMMENTS:

ABS COMMERCIAL

SIZE: A TITLE: 005FER0A REV: A
 SCALE: 1:16 SHEET 1 OF 1